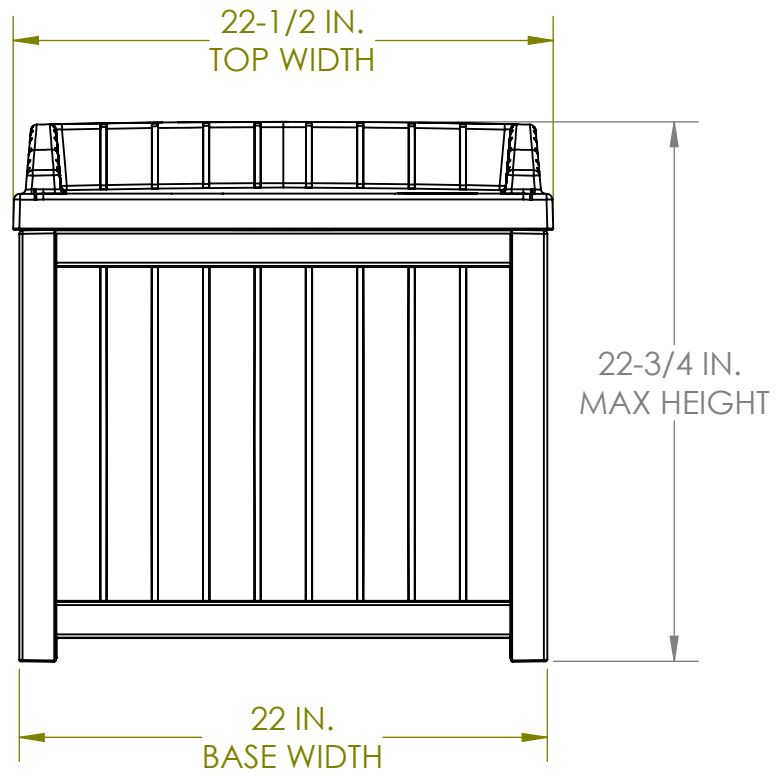
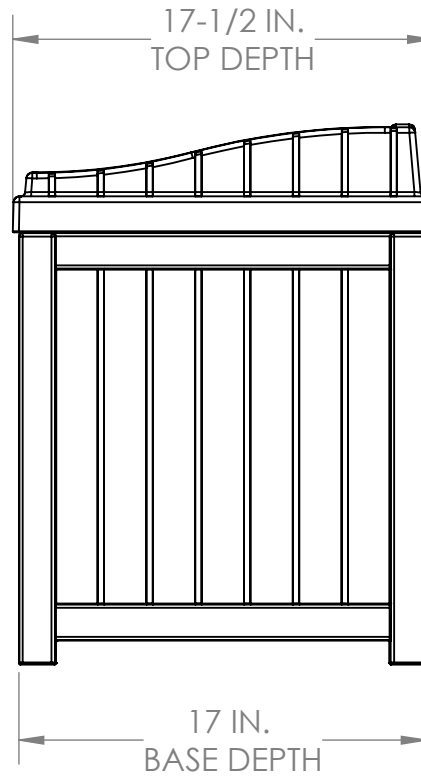


SS1000/SSW1000/SSW1200
FRONT VIEW

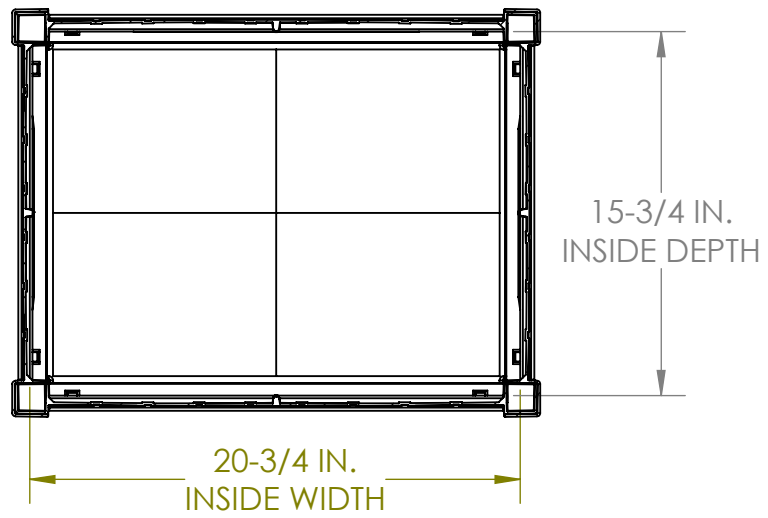
VOLUME: 2.9 CU. FT.
22 GAL.



SS1000/SSW1000/SSW1200
SIDE VIEW



SS1000/SSW1000/SSW1200
TOP VIEW



SS1000/SSW1000/SSW1200
INTERIOR SIDE VIEW

